

Box Rotator



130° OR 180°

ROTATING

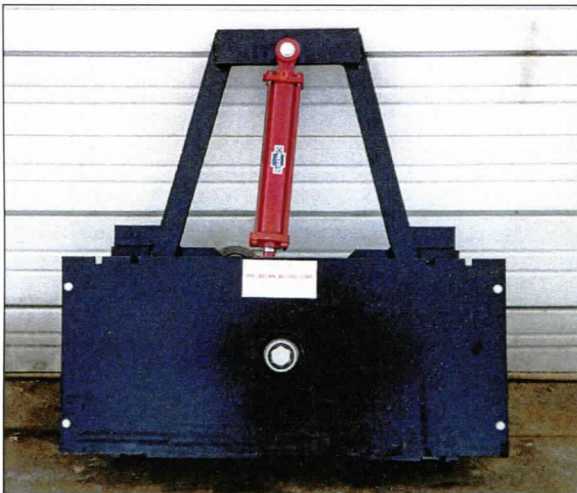
FORKLIFT

ATTACHMENT

Now with two models available you can get the best “**Box Rotator**” for your application at the lowest possible cost. With a 130° or 180° rotator you can dump fruit, vegetables, fertilizer and many other products directly into a truck or spreader with your existing forklift, saving valuable time and extra labor.

STANDARD FEATURES

- Hydraulic cylinder for fast, smooth operation
- Can be adapted to most standard and rough terrain forklifts
- Forks always return to level position
- Visibility and lift capacity better than with other rotators
- 180° model can be changed in the field for right or left rotation
- Adjustable restrictor to control speed of rotation



Rotator can be removed or reinstalled in minutes by one person.



PHIL BROWN WELDING CORP.

4689 - 8 Mile Road N.W. • Conklin, Michigan 49403 • www.philbrownwelding.com

Telephone (616) 784-3046 • Fax (616) 784-5852

(over)

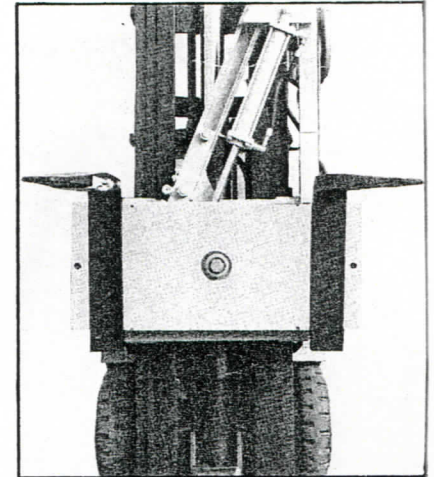
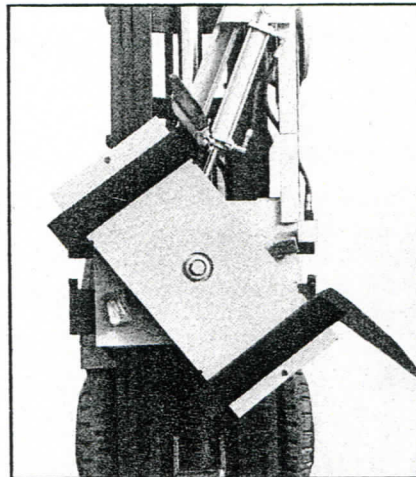
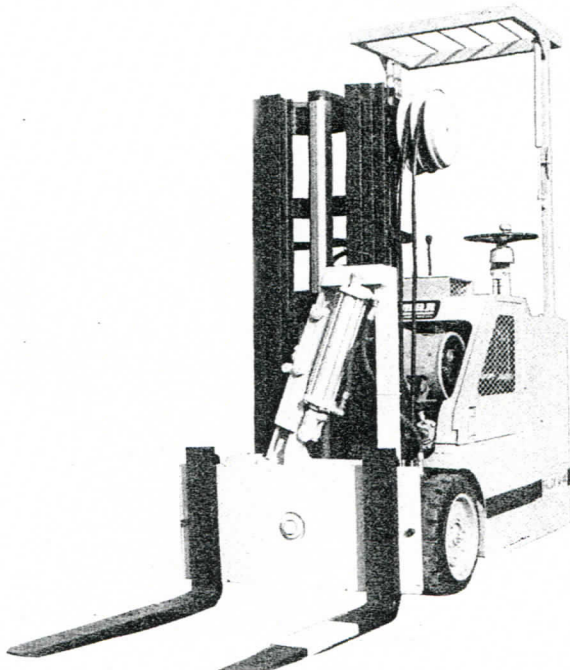
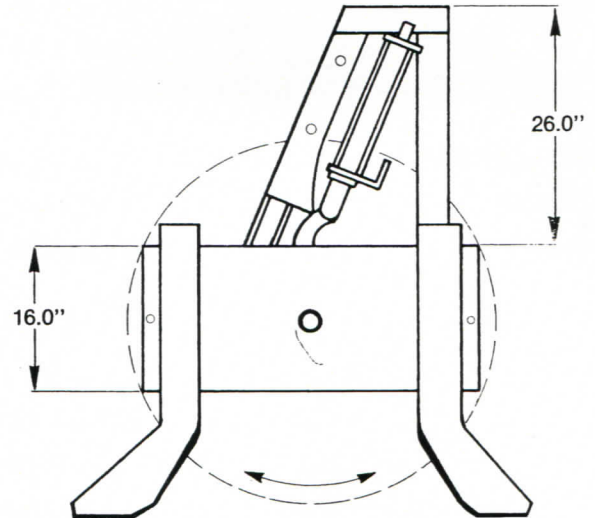
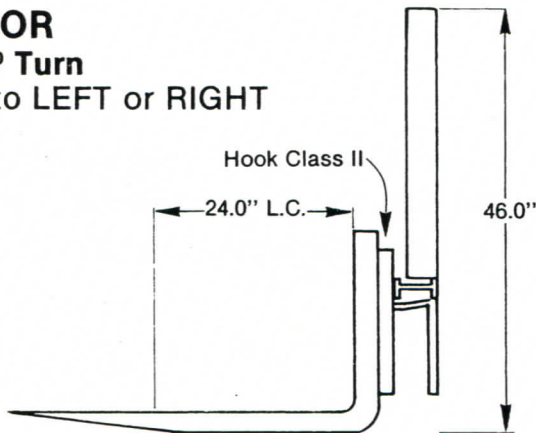
Box Rotator

180° Rotator with Hook Class II Fork Bar.
Vertical C.G. is from Bottom of Attachment.
Horizontal C.G. is from Back Side of Attachment.

Capacity	3000 lbs. @ 24" L.C.
Vertical C.G. Right Hand Rotation	14.25"
Vertical C.G. Left Hand Rotation	13.75"
Horizontal C.G.	2.75"
Weight	452.00 lbs.
Mounting Class	Hook Class II
Lost Load Center	5.25"
Center Line of Rotation From Floor	11.00"
Fork Bar Width	36.00"
Height From Floor	46.00"
Maximum Outside Fork Spacing	34.90"

ROTADUMPER Rotator is engineered for use on both conventional and rough terrain lift trucks. This quality-built 180° rotator can be quickly attached and removed by one man after the initial installation by dealer or purchaser. Rotation direction can be field changed by removing forks and reversing their position on the mounting plate. Unique device returns forks to level position after every cycle.

ROTATOR
Full 180° Turn
Dumps to LEFT or RIGHT



**130° OR 180°
ROTATION**

PHIL BROWN WELDING CORP.

4689 - 8 Mile Road N.W. • Conklin, Michigan 49403 • www.philbrownwelding.com
Telephone (616) 784-3046 • Fax (616) 784-5852